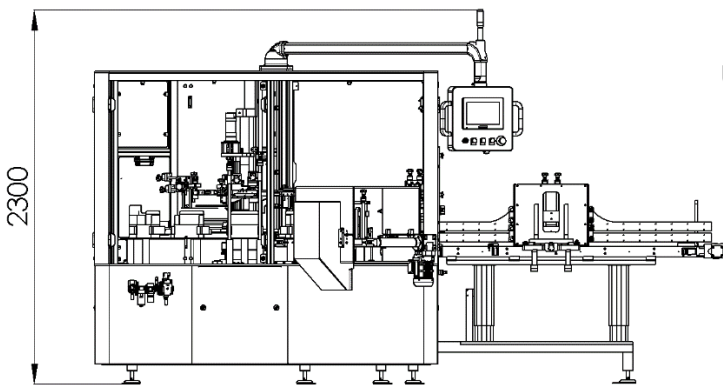
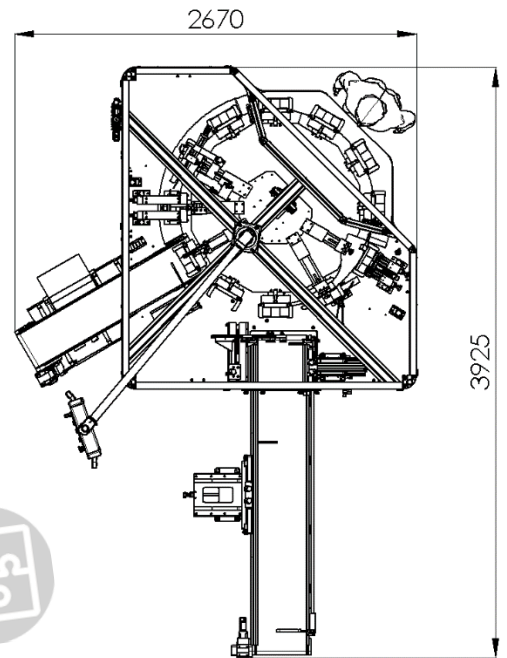


COMPACT V60 is:

A VERTICAL CARTONING MACHINE WITH RECIPROCATING MOVEMENT

- Quick job changeover
- Low maintenance
- Available with digital motor control
- Electrical supply: 230 V single phase, 16A 50Hz + Earth
- Compressed air supply: 500 NL/min at 6 bar



ULTRA-FAST ADJUSTMENT WITHOUT TOOLS

- Digital positioning indicators
- CMAS patented transport cups

THROUGHPUT: 0 à 60 P/min

OPTIONAL

- Set of 12 adjustable cups
- Manual, automatic or robotic product infeed
- High close feature for friction-fit cartons
- Can be coupled with counters - dosing units - bagging units
- Camera control feature with reject removal
- Pre-folded leaflet dispenser
- End-of-line conveyor
- Grouping table
- Embossed or ink-jet marking
- Automatic batch control

Contact us for more information!



Photo for information only



CMAS Packaging - Z.A Terrasse Garonne

47310 BRAX (FRANCE)

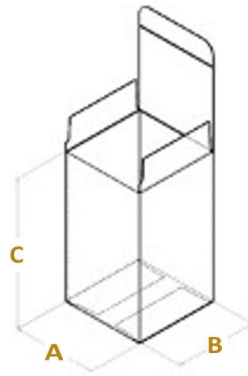
+33 (0)5 53 87 02 16

COMPACT V60 CAN BE TAILOR-MADE ACCORDING TO YOUR REQUIREMENTS

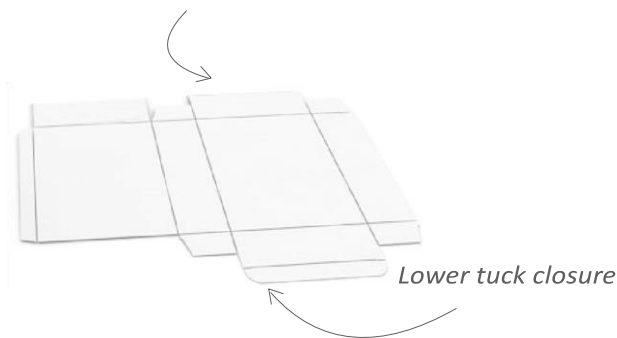
- All possible combinations as per your requirements

- Machine capacity:

	MIN mm	MAX mm
A	30	180
B	20	110
C	75	300
Reverse Carton	$(A/2+B) \leq 120$	

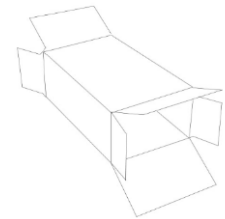


Glued top closure

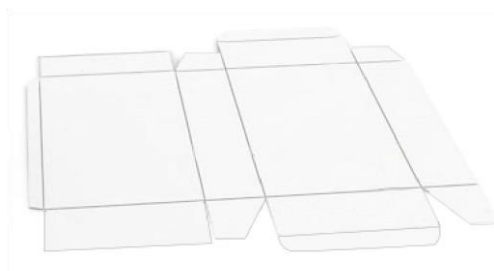
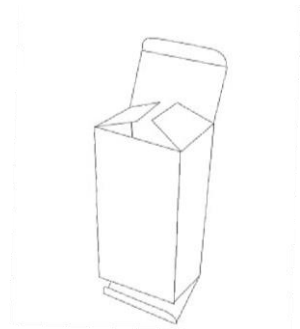


For cartons with:

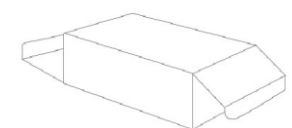
- Glued flaps



- Opposite tuck flaps



- Alternate tuck flaps



- References taken from ECMA catalogue: A5520, A2420, A2320, A2220, A2120
- Possible carton types: GC1, GZ, GC2
- For other carton types: contact us.