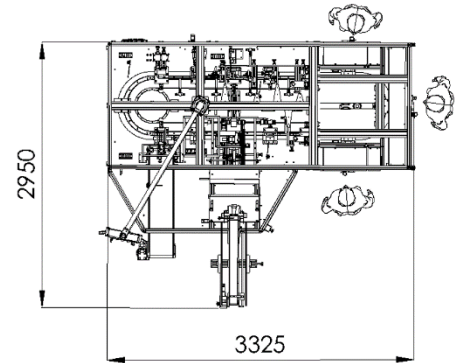


## TOPCOMPACT is:

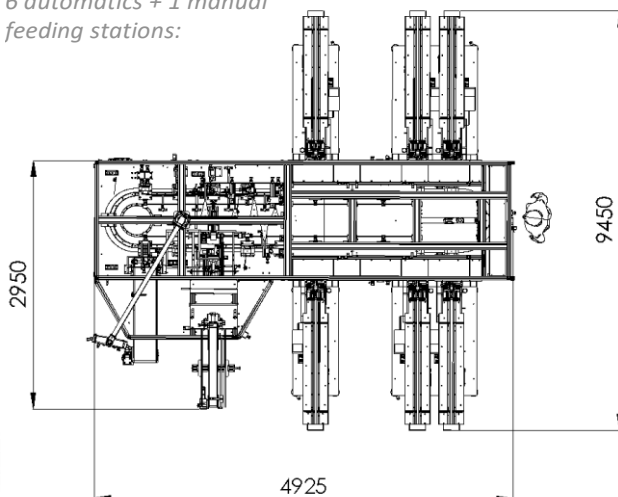
### A TOP-LOADING CARTONING MACHINE WITH RECIPROCATING MOVEMENT

- Product infeed from the top
- Low maintenance
- CNC-controlled
- Flexibility: 1 to 7 workstations for manual or automatic product feeding
- Electrical supply: 400 V Three phase, 16A 50Hz + Earth + Neutral
- Compressed air supply: 500 NL/min at 6 bar

3 manuals feeding stations:



6 automatics + 1 manual feeding stations:



### ULTRA-FAST ADJUSTMENT WITHOUT TOOLS

- Digital positioning indicators
- Quick job changeover through magnetic cups

**THROUGHPUT:** 0 à 50 P/min



Contact us for more information!

### OPTIONAL

- Manual, automatic or robotic product infeed
- Can be coupled with counters - page feeder
- Camera control feature with reject removal
- End-of-line conveyor
- Grouping table
- Ink-jet marking
- Automatic batch control



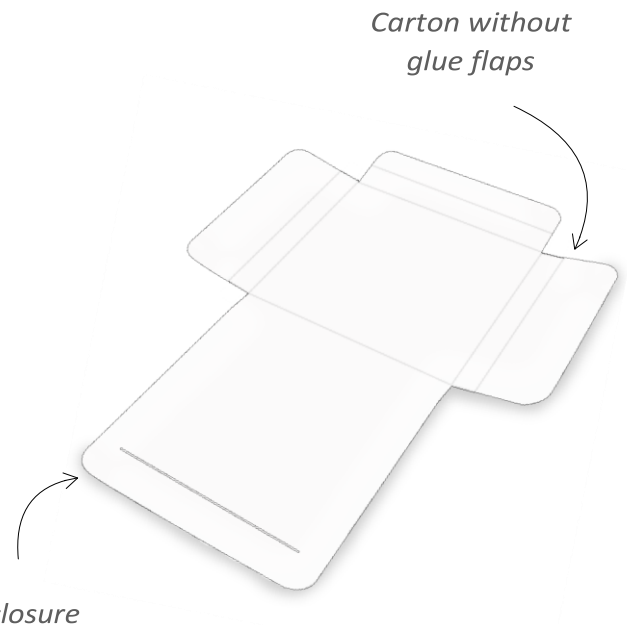
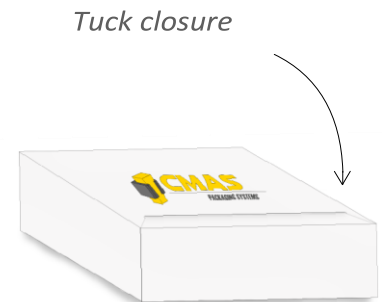
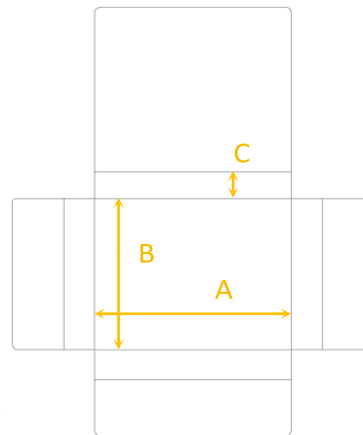
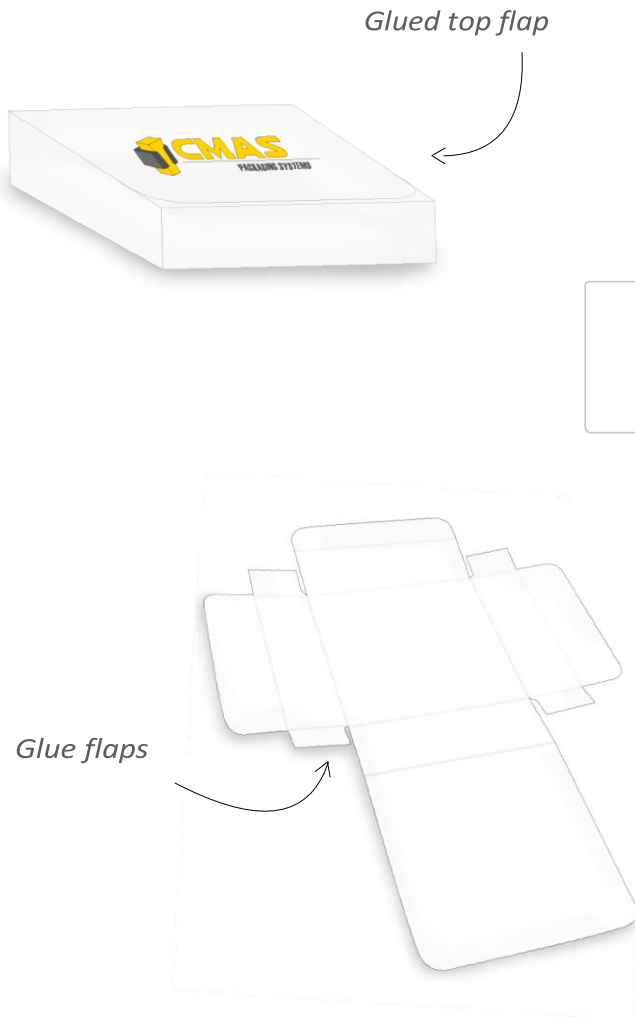
Photo for information only

TOPCOMPACT CAN BE TAILOR-MADE ACCORDING TO YOUR REQUIREMENTS

- All possible combinations as per your requirements

- Machine capacity:

	MIN mm	MAX mm
A	65	150
B	85	150
C	5	30



- Possible carton types: GC1, GZ, GC2
- For other carton types: contact us.

